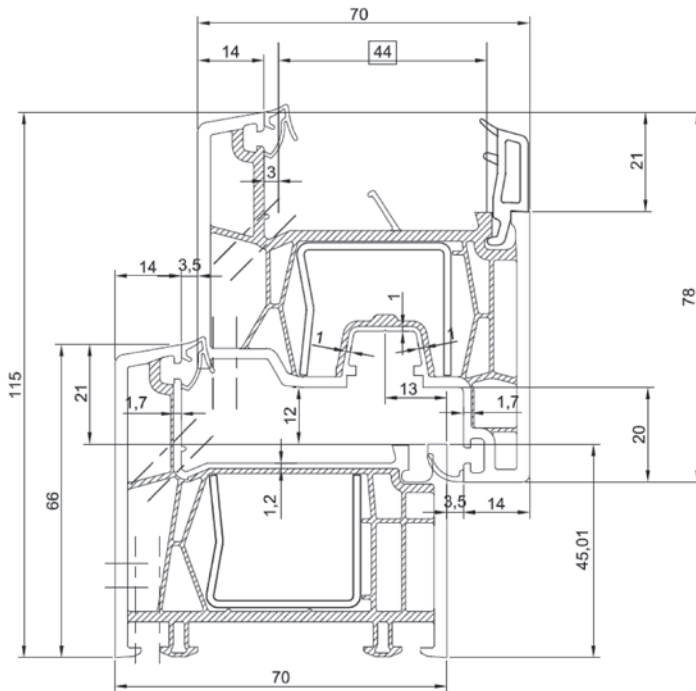
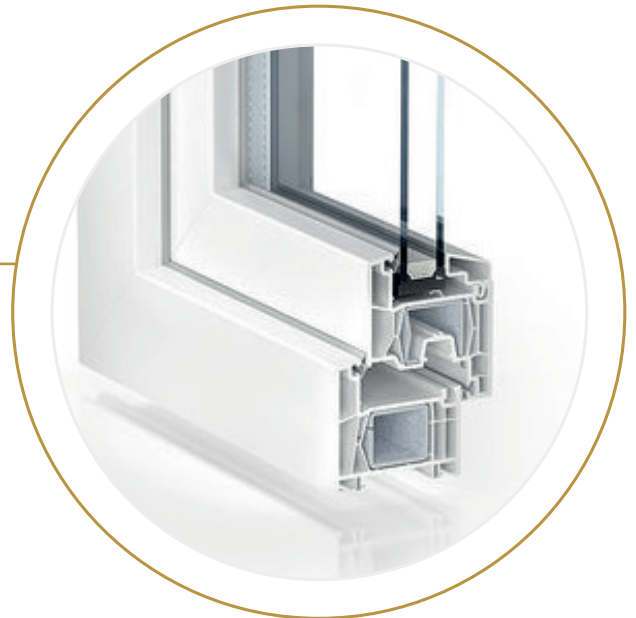


PVC BASIC 70MM



CHARACTERISTICS



Thermal Insulation
 $U_w = 1.3 - 0.95 \text{ W / m}^2\text{K}$



Sound Protection
 34 - 44 dB



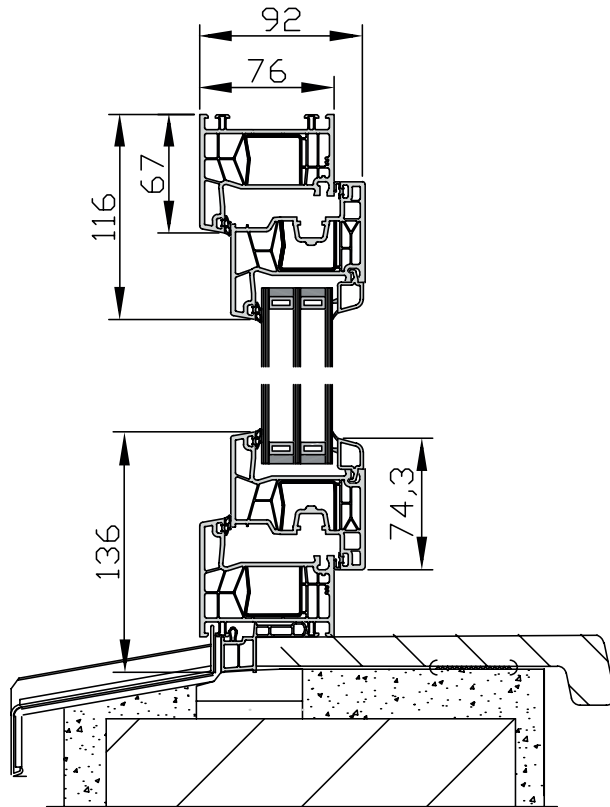
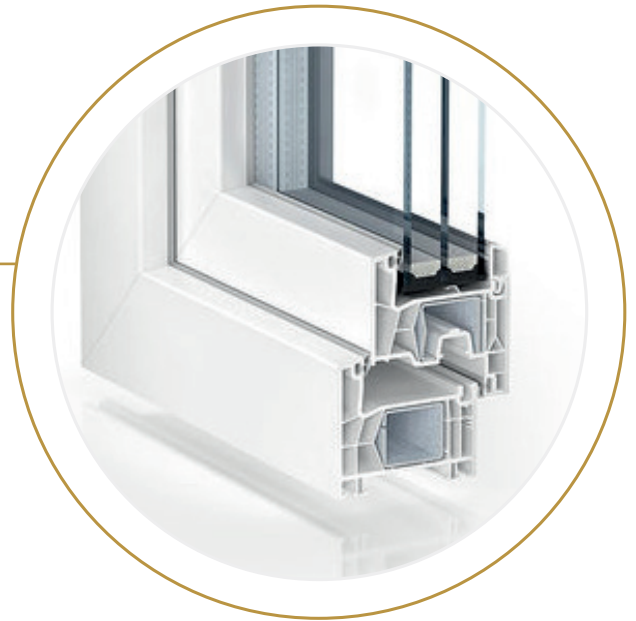
Security
 Basis

Profile Dimensions:

Frame - Width/Height	70 mm/63 mm
Frame + Sash	112 mm
Insulated Glass Units	24 mm and 38 mm
Medium Sealing	yes (of the sash)
Colour	white, golden oak, walnut, dark oak
Sealing Colour	grey/black
Aluminium Cap	no



PVC 76 MM



CHARACTERISTICS



Thermal Insulation
 $U_w = 1.2 - 0.9 \text{ W / m}^2\text{K}$



Sound Protection
34 - 44 dB



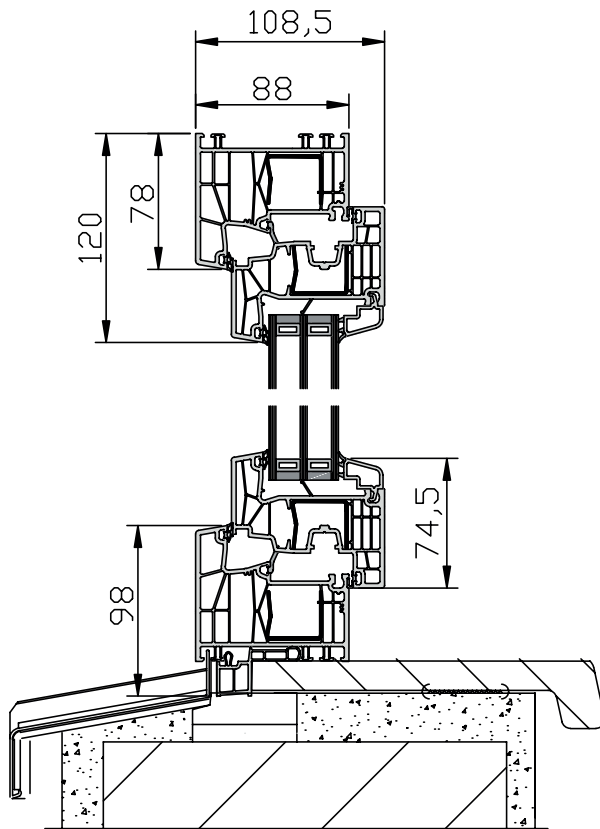
Security
Basis + 1 / RC2

Profile Dimensions:

Frame - Width/Height	76 mm/67 mm
Frame + Sash	116 mm
Insulated Glass Units	30 mm and 44 mm
Medium Sealing	yes (of the sash)
Colour	white, golden oak, walnut, dark oak, sapele, grey, anthracite and mountain pine
One-sided Tinting	anthracite
Sealing Colour	grey/black
Aluminium Cap	yes/RAL or film



PVC 88 MM



CHARACTERISTICS



Thermal Insulation
 $U_w = 0.95 - 0.8 \text{ W / m}^2\text{K}$



Sound Protection
34 - 46 dB



Security
Basis + 1 / RC2

Profile Dimensions:

Frame - Width/Height	88 mm/78 mm
Frame + Sash	120 mm
Insulated Glass Units	52 mm
Medium Sealing	of the frame and sash
Colour	white, golden oak, walnut, dark oak, sapele, grey and anthracite
One-sided Tinting	anthracite
Sealing Colour	grey/black
Aluminium Cap	yes/RAL or film

